



USER'S MANUAL Wireless Audio Sensor



English

Model CA-AX is an optional accessory for **CentralAlert™** Visual Alert System. It is a wireless audio sensor for monitoring alarm sounds.

Any loud alarm sound of 15 seconds or longer triggers Model CA-AX. Upon triggering, it sends a wireless signal to activate a **CentralAlert™** Master-Unit.

Model CA-AX can also detect alarm sounds T3 and T4. (T3 alarm sound is: beep-beep-beep, pause,T4 alarm sound is: beep-beep-beep-beep, a long pause,)

Operating Guide

Thank you for purchasing this product, please read before use
(Keep this manual for future reference)

English

Model CA-AX is a supervised design where a “**Battery OK**” signal is sent every 2 hours to the **CentralAlert™**. During normal operation, its transmit indicator blinks once every 15 seconds. Please replace batteries immediately if this indicator becomes weak or stops blinking.

Install batteries:

1. Install two AA size alkaline batteries (user provided) and then turn on its power.
2. Verify that (red) **TRANSMIT** indicator blinks when the **TEST** button is pressed.

Registering Model CA-AX:

This optional accessory must be learned by a Master-Unit in order to

English

work with the system.

1. Press and hold the “**SOS/Test**” button on the Master-Unit for about 5 seconds to set it to a Learn mode. Digital display shows “**LEAR.**” (Time **SET** button must be on **RUN** position)
2. Press and hold the Model CA-AX “**TEST**” button for about 5 seconds until the Master-Unit beeps twice. (Speaker must be **ON**)
3. Registration is now complete. Press the “**SNOOZE / RESET**” button on the Master-Unit to end the Learn mode.

Installation & Test:

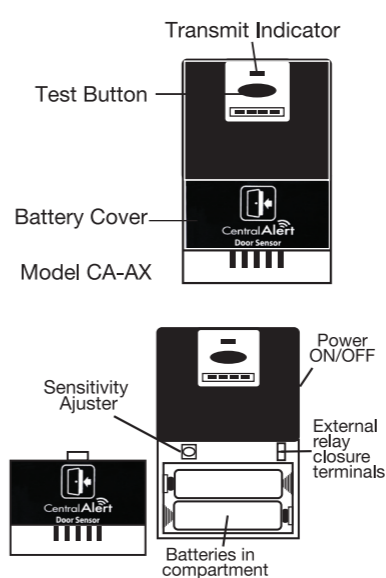
1. Place Model CA-AX so that its microphone port is pointing toward an audio alarm device or a smoke

English

2. detector (about 2 inches away).
2. Secure Model CA-AX next to the detector with two screws in its mounting holes.
3. During normal operation, its transmit indicator blinks once every 15 seconds.
4. To test, push and hold the Test button on your audio alarm device so it beeps for about 15 seconds continuously. Verify that **CentralAlert™** alerting outputs are activated in reply.

Note: Test the unit weekly by pushing the smoke detector button for 15 seconds.

English



English

Specifications:

1. Advanced Technology: 2.4 Ghz Smart-Code
2. Operating range: Up to 200 ft, open space – actual distance varies according to house construction.
3. Up to 10 Model CA-AX's are supported by a system.
4. Battery type: Two AA size alkaline
5. Battery life: up to 10 months
6. Operating temperature: +10 to +30°C
7. Size: 2.5" x 3.8" x 1" Wt: 4 Oz
8. Spec is subject to change

Note:

1. Model CA-AX's sensitivity may be adjusted. Rotating its VR in the clockwise direction increases sensitivity.

English

2. “External relay closure terminals” are for special applications where an external relay contact closure signal is available. A momentary short across these two terminals immediately triggers a wireless transmission.
3. Model CA-AX sends a “**Battery OK**” signal to the Master-Unit every 2 hours. If two consecutive “**Battery OK**” signals are not received, **CentralAlert™** flashes a “**bAtt**” warning message and a unit number. Please change batteries immediately.
4. Pressing & holding the “**SNOOZE / RESET**” button on **CentralAlert™** for 2 seconds resets this warning message. Afterwards, the display flashes “**Stop**” momentarily.

English